

**⌚ ZN1201-N EZCARRY® ADJUSTABLE HORIZONTAL SIPHON JET – NO-HUB NARROW WALL SYSTEM (9-3/8" DEPTH FRONT TO BACK)**



Patent Pending

**ENGINEERING SPECIFICATION**

Zurn ZN1201-N( )4 EZCarry® narrow wall horizontal siphon jet water closet carrier system features high performance Dura-Coated cast iron main fitting with hydro-mechanically optimized sweep, 4" no-hub connections, and extended 2" vent. Corrosion resistant adjustable 3" diameter x 6" coupling with integral test cap is designed to increase flow velocity and line carry. Labor saving Neo-Seal bonded gasket optimize flow performance while reducing installation steps. Complete system includes an adjustable, gasketed faceplate, floor mounted foot supports, fixture bolts, trim, and stud protectors. EZCarry® narrow wall system complies with all applicable requirements of ASME A112.6.1M up to a 500 lb maximum static load.

**NOTES**

1. Cut 4" adjustable coupling minimum 'P' dimension obtainable = 1-1/4".
2. Carrier floor anchors must each be able to withstand a pull-out force of 1741 lb.
3. Pull-out forces are calculated values with standard coupling assembly. No safety factor has been applied. See Form #C38 for more information.

Product Number	Approximate Weight lb [kg]
ZN1201-NL4	75 [34]
ZN1201-NR4	
ZN1201-ND4	140 [64]

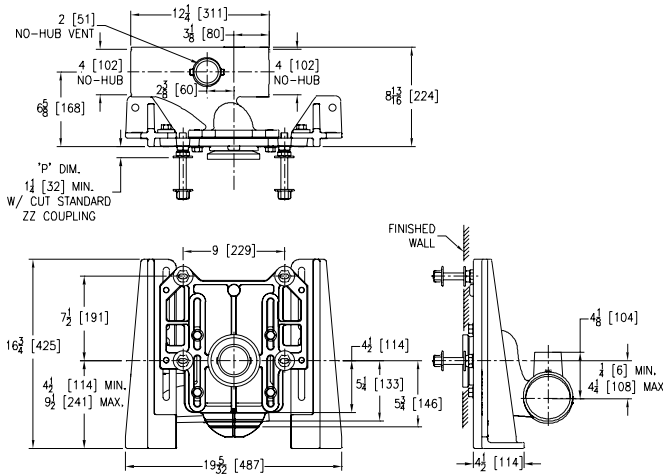
PREFIXES	DESCRIPTION	SINGLE	DOUBLE
<b>ZN1201*</b>	D.C.C.I. System with 4" Adjustable Coupling	<b>Combine with Fitting Type for Pricing</b>	

FITTING TYPE			
<b>-NL4</b>	4" No-Hub Left-Hand Inlet w/Flow to Right for Narrow Wall	<b>1,898.00</b>	-
<b>-NR4</b>	4" No-Hub Right-Hand Inlet w/Flow to Left for Narrow Wall	<b>1,898.00</b>	-
<b>-ND4</b>	4" No-Hub Back-to-Back Inlet (Double for Narrow Wall)	-	<b>3,420.00</b>

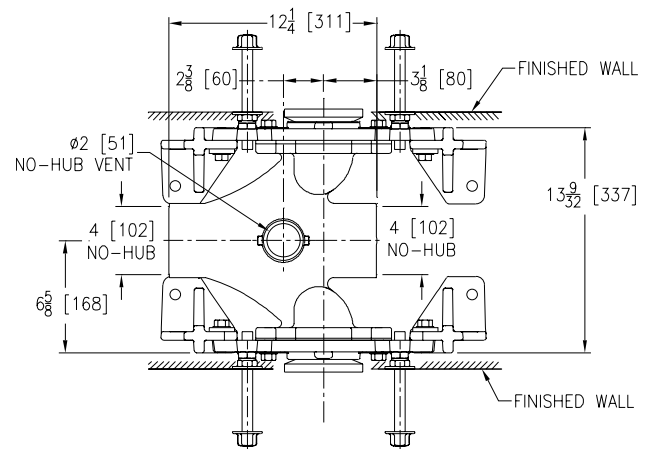
SUFFIXES		N/C	ADD
<b>-CC</b>	Corrosion Resistant Cast Iron Coupling (2-1/4" thru 12")	N/C	N/C
<b>-CS</b>	2-1/4" Polymer Coupling with Integral Test Cap	N/C	N/C
<b>-G</b>	Galvanized Cast Iron	<b>817.00</b>	<b>1,633.00</b>
<b>-JC</b>	2" Auxiliary Inlet with 1/8" Bend	<b>365.00</b>	-
<b>-VP</b>	Vandal-Proof Trim	<b>137.00</b>	<b>270.00</b>
<b>-50</b>	Flush Valve Supply Support for Water Closet	<b>90.00</b>	<b>176.00</b>

BEST SELLERS	LIST PRICE
ZN1201-ND4	<b>3,420.00</b>
ZN1201-NL4	<b>1,898.00</b>
ZN1201-NR4	<b>1,898.00</b>

ZN1201-NR4 (Single)



ZN1201-ND4 (Double)



Items designated as Best Sellers are most specified and are generally in stock for shipment.  
 ⌚ This symbol denotes a product that is engineered to reduce installation and rework time.  
 For Additional System Tools See "Z1200 Carrier Tools and Accessories" on page 214

\*Regularly furnished unless otherwise specified.  
 For additional product information, please visit [www.zurn.com](http://www.zurn.com)